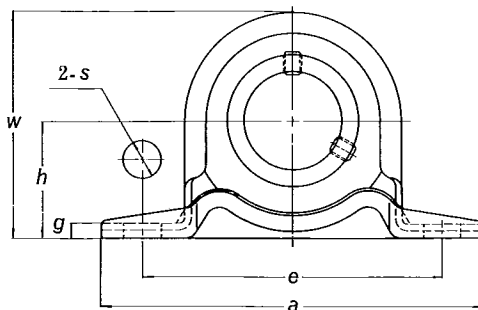
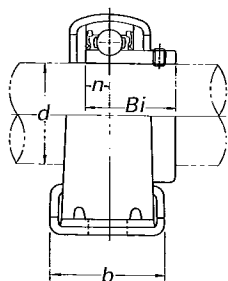


PILLOW BLOCK UNITS (Pressed Steel Housing)

SBPP 200 SERIES

set screw locking



UNIT NO.	SHAFT DIA. <i>d</i>		BEARING NO.	DIMENSIONS								BOLT SIZE inch mm	HOUS- ING NO.	WEIGHT kg	
	inch	mm		<i>h</i>	<i>a</i>	<i>e</i>	<i>b</i>	<i>s</i>	<i>g</i> (mm)	<i>w</i>	<i>Bi</i>				<i>n</i>
SBPP201		12	SB201												
201-08	1/2		201-08												
202-09	5/16		202-09												
202		15	202	7/8	3 3/8	2 1/16	1	3/8		1 3/32	0.8661	0.2362	5/16	PP203F	0.16
202-10	5/8		202-10	22.2	86	68	25	9.5	3.2	43.8	22	6	M8		
203		17	203												
203-11	1 1/16		203-11												
SBPP204-12	3/4		SB204-12	1	3 3/8	2 5/16	1 1/4	3/8		1 5/16	0.9843	0.2756	5/16	PP204F	0.23
204		20	204	25.4	98	76	32	9.5	3.2	50.5	25	7	M8		
SBPP205-14	7/8		SB205-14												
205-15	1 1/16		205-15												
205		25	205	1 1/8	4 1/4	3 3/8	1 1/4	2 3/16		2 1/4	1.0630	0.2953	3/8	PP205F	0.28
205-16	1		205-16	28.6	108	86	32	11.5	4	56.6	27	7.5	M10		
SBPP206-18	1 1/8		SB206-18												
206		30	206	1 1/16	4 5/8	3 3/4	1 1/2	2 3/16		2 3/16	1.1811	0.3150	3/8	PP206F	0.47
206-19	1 1/16		206-19	33.3	117	95	38	11.5	4	66.3	30	8	M10		
SBPP207-20	1 1/4		SB207-20												
207-21	1 1/16		207-21												
207-22	1 3/8		207-22	1 1/16	5 1/16	4 3/16	1 5/8	2 3/16		3 3/4	1.2598	0.3543	3/8	PP207F	0.67
207		35	207	39.7	129	106	41	11.5	4.6	78	32	9	M10		
207-23	1 1/16		207-23												

Note: 1) See page 154 for detail dimensions and basic load ratings of insert bearings.