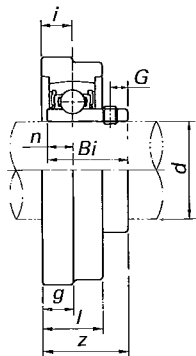


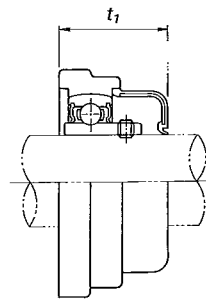
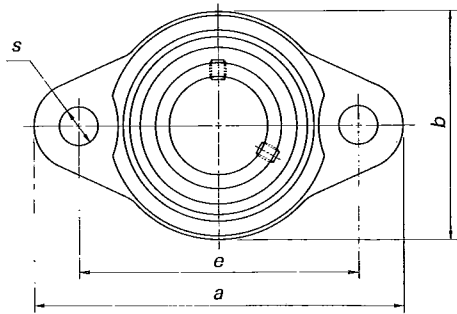
CLEAN SERIES RHOMBIC FLANGE UNITS (Aluminum Housing)

UFL 000 SERIES

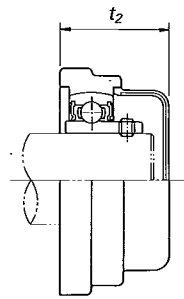
set screw locking



Standard



UFL...C
(Open end cover)



UFL...D
(Closed end cover)

UNITS NO.		SHAFT DIA. <i>d</i> mm	BEARING NO.	DIMENSIONS mm												BOLT SIZE mm	HOUSING NO.	WEIGHT kg
STANDARD	WITH COVER			<i>a</i>	<i>e</i>	<i>i</i>	<i>g</i>	<i>l</i>	<i>s</i>	<i>b</i>	<i>z</i>	<i>Bi</i>	<i>n</i>	<i>G</i>	<i>t</i> ₁ <i>t</i> ₂			
UFL000	UFL000C UFL000D	10	SU000	60	45	6	6	12	7	36	16	15	5	3	20.5	M6	FL000	0.050
UFL001	UFL001C UFL001D	12	SU001	63	48	6	6	12	7	38	16	15	5	3	20.5	M6	FL001	0.065
UFL002	UFL002C UFL002D	15	SU002	67	53	6.5	6.5	13	7	42	17.5	16.5	5.5	3.3	22	M6	FL002	0.085
UFL003	UFL003C UFL003D	17	SU003	71	56	7	7	14	7	46	18.5	17.5	6	3.3	23.5	M6	FL003	0.110
UFL004	UFL004C UFL004D	20	SU004	90	71	8	8	16	10	55	22	21	7	4	27	M8	FL004	0.180
UFL005	UFL005C UFL005D	25	SU005	95	75	8	8	16	10	60	23	22	7	4.5	28	M8	FL005	0.230
UFL006	UFL006C UFL006D	30	SU006	112	85	9	9	18	13	70	26	24.5	7.5	5.5	31	M10	FL006	0.310

Note: 1) See page 154 for detail dimensions and basic load ratings of insert bearings.