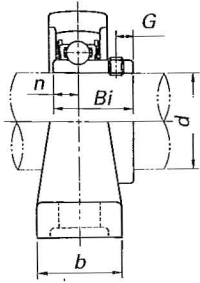


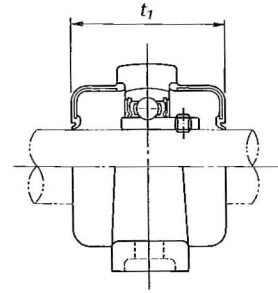
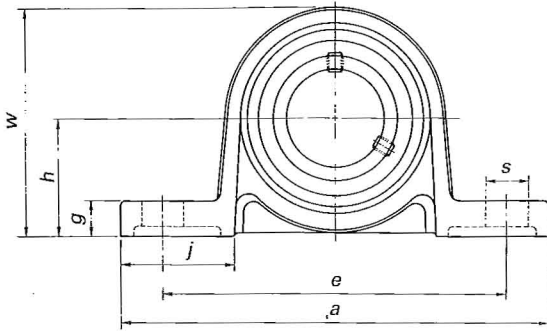
CLEAN SERIES PILLOW BLOCK UNITS (Aluminum Housing)

UP 000 SERIES

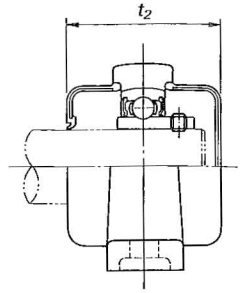
set screw locking



Standard



UP...C
(Open ends cover)



UP...CD
(Closed end cover)

UNITS NO.		SHAFT DIA. <i>d</i> mm	BEARING NO.	DIMENSIONS mm												BOLT SIZE mm	HOUSING NO.	WEIGHT kg
STANDARD	WITH COVER			<i>h</i>	<i>a</i>	<i>e</i>	<i>b</i>	<i>s</i>	<i>g</i>	<i>w</i>	<i>j</i>	<i>Bi</i>	<i>n</i>	<i>G</i>	<i>t</i> ₁			
UP000	UP000C UP000CD	10	SU000	18	67	53	16	7	6	35	18	15	5	3	29	M6	P000	0.070
UP001	UP001C UP001CD	12	SU001	19	71	56	16	7	6	38	19	15	5	3	29	M6	P001	0.090
UP002	UP002C UP002CD	15	SU002	22	80	63	16	7	7	43	21	16.5	5.5	3.3	31	M6	P002	0.110
UP003	UP003C UP003CD	17	SU003	24	85	67	18	7	7	47	21	17.5	6	3.3	33	M6	P003	0.150
UP004	UP004C UP004CD	20	SU004	28	100	80	20	10	9	55	25	21	7	4	38	M8	P004	0.230
UP005	UP005C UP005CD	25	SU005	32	112	90	20	10	10	62	28	22	7	4.5	40	M8	P005	0.280
UP006	UP006C UP006CD	30	SU006	36	132	106	26	13	11	70	34	24.5	7.5	5.5	44	M10	P006	0.420

Note: 1) See page 154 for detail dimensions and basic load ratings of insert bearings.