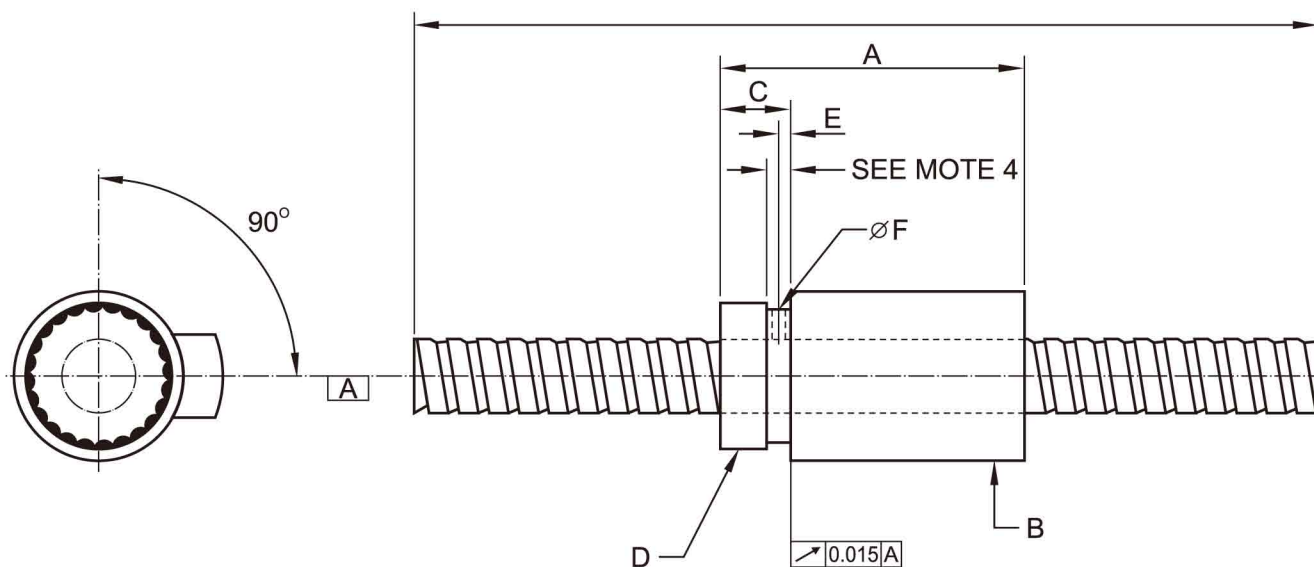


型式 TYPE **RSI**



ASSEMBLT	A	B	C	D	E	F	G	GTOROU AVRIATION (Nm) (SEE NOTE 4)
16 X 10 PL	58.5	32.0	16.5	M30x15.6G	3.0	3.0	19.0	±010Nm
20 X 5 PL	55.5	40.0	16.5	M36x15.6G	3.0	3.0	NA	±010Nm
20 X 10 PL	58.5	40.0	16.5	M36x15.6G	3.0	3.0	22.0	±010Nm