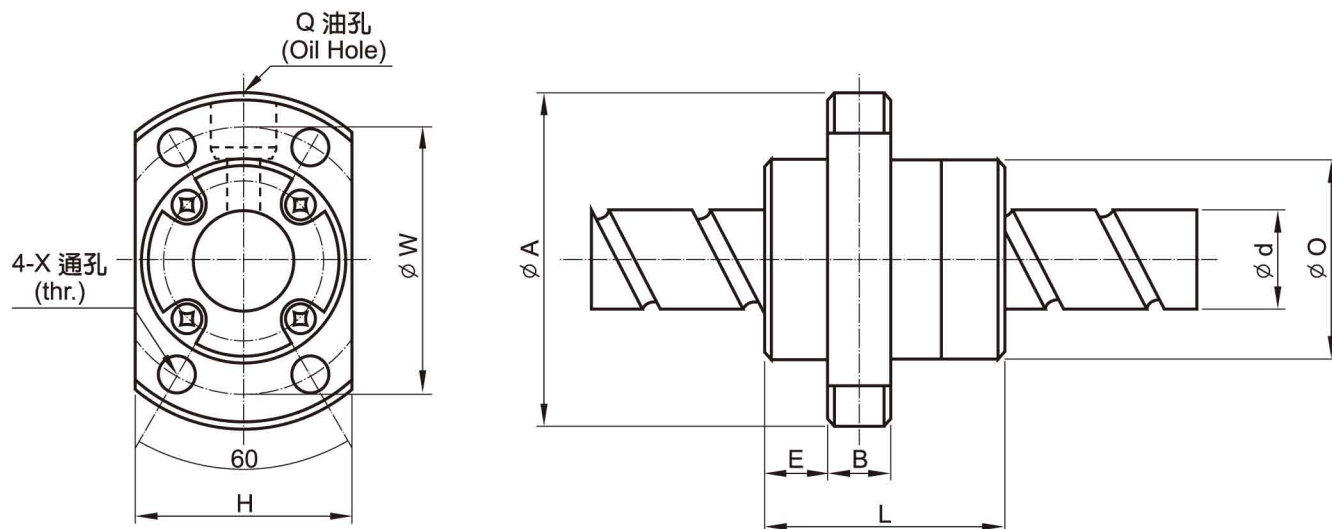


型式 TYPE **SFE**



單位 (Unit) : mm

I: 導程 Lead		Da: 珠徑 Ball Dia.		K: 剛性 Stiffness (Kgf/ μ m)												
Ca: 動額定負荷 Basic Dynamic Rating Load (Kgf)		Coa: 靜額定負荷 Basic Static Rating Load (Kgf)														
型號	滾珠螺桿、螺帽之基準數據 Dimensions															
Model No.	d	I	Da	D	A	E	B	L	X	W	H	Q	n	Ca	Cos	K
SFE01616-3	16	16	2.778	32	53	10.1	10	38	4.5	42	34	M6	1.7X2	650	1280	19
SFE01616-6													1.7X4	1180	2550	36
SFE02020-3	20	20	3.175	39	62	11.5	10	47	5.5	50	41		1.7X2	980	2140	25
SFE02020-6													1.7X4	1780	4280	49
SFE02525-3	25	25	3.969	47	74	13	12	57	6.6	60	49		1.7X2	1470	3350	31
SFE02525-6													1.7X4	2660	6690	60
SFE03232-3	32	32	4.762	58	92	16	12	71	9	74	60		1.7X2	2140	5260	40
SFE03232-6													1.7X4	3890	10500	76
SFE04040-3	40	40	6.350	73	114	19	15	89	11	93	75		1.7X2	3410	8820	49
SFE04040-6													1.7X4	6200	17600	95
SFE05050-3	50	50	7.938	90	135	21.5	20	104	14	112	92		1.7X2	5100	13800	60
SFE05050-6													1.7X4	7260	27600	117