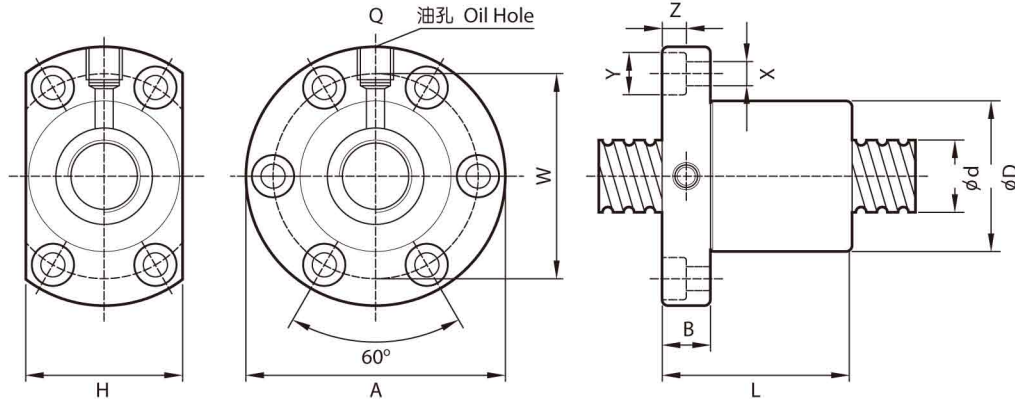


型式 TYPE SFI



單位 (Unit) : mm

l: 導程 Lead Da: 珠徑 Ball Dia.

K: 剛性 Stiffness (Kgf/ μ m)

Ca: 動額定負荷 Basic Dynamic Rating Load (Kgf)

Coa: 靜額定負荷 Basic Static Rating Load (Kgf)

型號	滾珠螺桿、螺帽之基準數據 Dimensions																
Model No.	d	l	Da	D	A	B	L	W	H	X	Y	Z	Q	n	Ca	Cos	K
SFI0802	8	2	1.2	15	26	4	20	20	17	3.5	-	-	-	3	135	225	8.2
SFI01002	10	2	1.2	18	35	5	28	27	22	4.5	-	-	-	3	157.6	301.7	10.1
SFI1204	12	4	2.381	26	46	10	34	36	28	4.5	8	4.5	M6	3.5x1	425	738	18
SFI1205		5	2.381	28	48	6	35	39	30	4.5	-	-	-	3.5x1	662	1036	-
SFI1604-4	16	4	2.381	30	49	10	45	39	34	4.5	8	4.5	M6	4	640	1340	16
SFI1605-4		5	3.175	30	49	10	50	39	34	4.5	8	4.5	M6	4	780	1790	20
SFI1610-3		10	3.175	34	58	10	57	45	34	5.5	9.5	5.5	M6	3	833	1249	15
SFI2005-4	20	5	3.175	34	57	11	51	45	40	5.5	9.5	5.5	M6	4	1130	2380	25
SFI205T-4		5.08	3.175	34	57	11	51	45	40	5.5	9.5	5.5	M6	4	1130	2380	25
SFI2505-4	25	5	3.175	40	63	11	51	51	46	5.5	9.5	5.5	M8	4	1280	3110	35
SFI2510-3		10	4.762	46	72	12	85	58	52	6.5	11	6.5	M6	4	1944	3877	33
SFI3205-4	32	5	3.175	46	72	12	52	58	52	6.5	11	6.5	M8	4	1450	4150	40
SFI3210-4		10	6.350	54	88	15	90	70	62	9	14	8.5	M8	4	3390	7170	40
SFI4005-4	40	5	3.175	56	90	15	55	72	64	9	14	8.5	M8	4	1610	5330	49
SFI4010-4		10	6.350	62	104	18	93	82	70	11	17.5	11	M8	4	3910	9520	50
SFI5010-4	50	10	6.350	72	114	18	93	92	82	11	17.5	11	M8	4	4450	12500	65
SFI6310-4	63	10	6.350	85	131	22	98	107	95	14	20	13	M8	4	5070	16600	80
SFI8010-4	80	10	6.350	105	150	22	98	127	115	14	20	13	M8	4	5620	21300	90